

quick guide

Always perform a System Check (see video/manual)



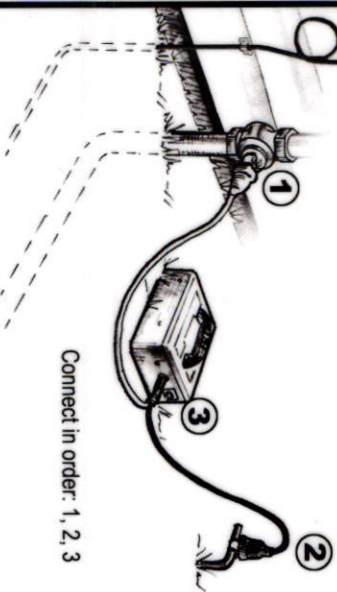
Pipehorn®
LOCATING TECHNOLOGY

1 Direct Connect

CONDUCTIVE

Connect the transmitter as shown. Place the ground rod away from the run of the target and other conductors.

800-HL Transmitter applies high and low frequencies simultaneously.



Connect in order: 1, 2, 3

2 No Hook-Up

INDUCTIVE

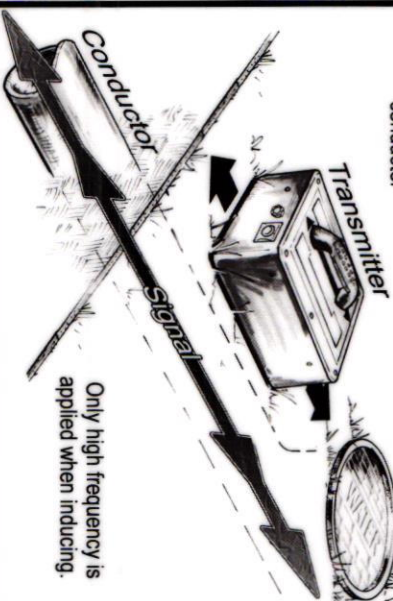
To induce the strongest signal, place the transmitter as shown.



Directly over and in-line with conductor



Not on a metal cover



Only high frequency is applied when inducing.

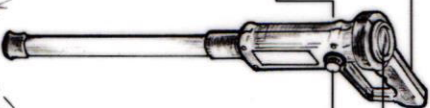
3 About the Receiver

Strongest signal when handle is in-line with conductor

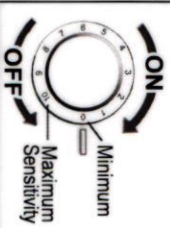
Signal Meter
0 = Weak
10 = Strong



Frequency Switch (800-HL only)
HF = High Freq.
LF = Low Freq.



On/Off Sensitivity Control
Beeping - turn it down
No tone - turn it up
Adjust for a steady tone



Receiver will time-out after 5 minutes of inactivity. Turn it OFF, then back ON.

quick guide

view instructional videos at:
www.pipehorn.com



Pipehorn
LOCATING TECHNOLOGY

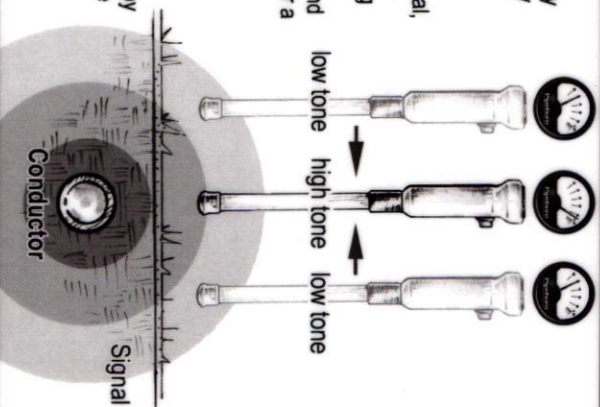
4

Pinpoint

1. Adjust Sensitivity Control for a steady tone.

2. Keeping it vertical, scan in direction of higher tone (moving toward target). If tone beeps, stop and adjust sensitivity for a lower tone, then continue in same direction.

3. Pinpoint target by finding highest tone (with lower tone to left and to right).



5

Determine Signal Source

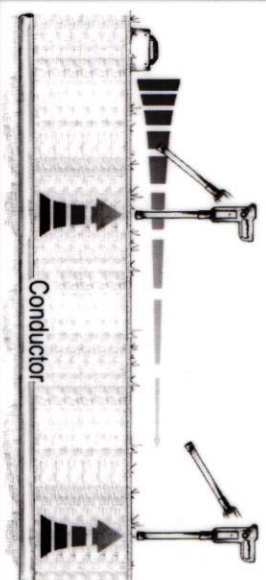
After pinpointing the signal, confirm that its source is an underground conductor. Raise the receiver and point it at the transmitter. If the signal gets weaker, it is likely coming from an underground conductor, not from the transmitter through the air.

Tone goes higher
or beeps.



move away

Tone goes lower
or stops



6

Support

If you have questions, comments, or need help with a tough locate, please contact us at:

205-956-3710

info@pipehorn.com

Warranty & Repairs: Pipehorn locators carry a 3-year warranty against defects in workmanship or material. Repairs are usually completed within two days of receipt. No RMA is required, but a Repair Request Form is available online. Send your Pipehorn and form (or contact information) to:

Pipehorn Repair Department
2900 Commerce Blvd.
Birmingham, AL 35210

This Quick Guide is not intended to replace the User Manual. Read the User Manual thoroughly to get the most from your Pipehorn. Also visit www.pipehorn.com for more tips including instructional videos.